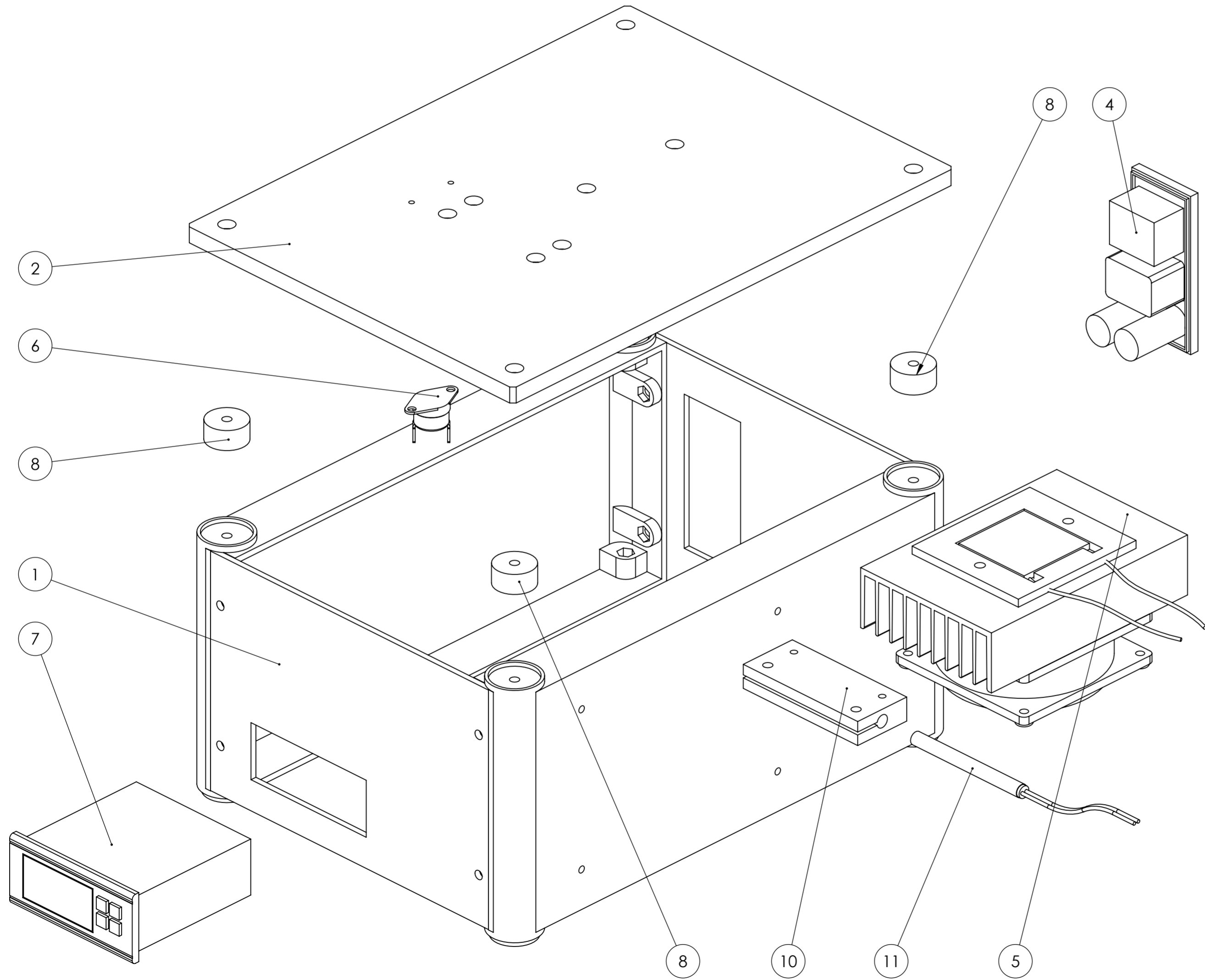
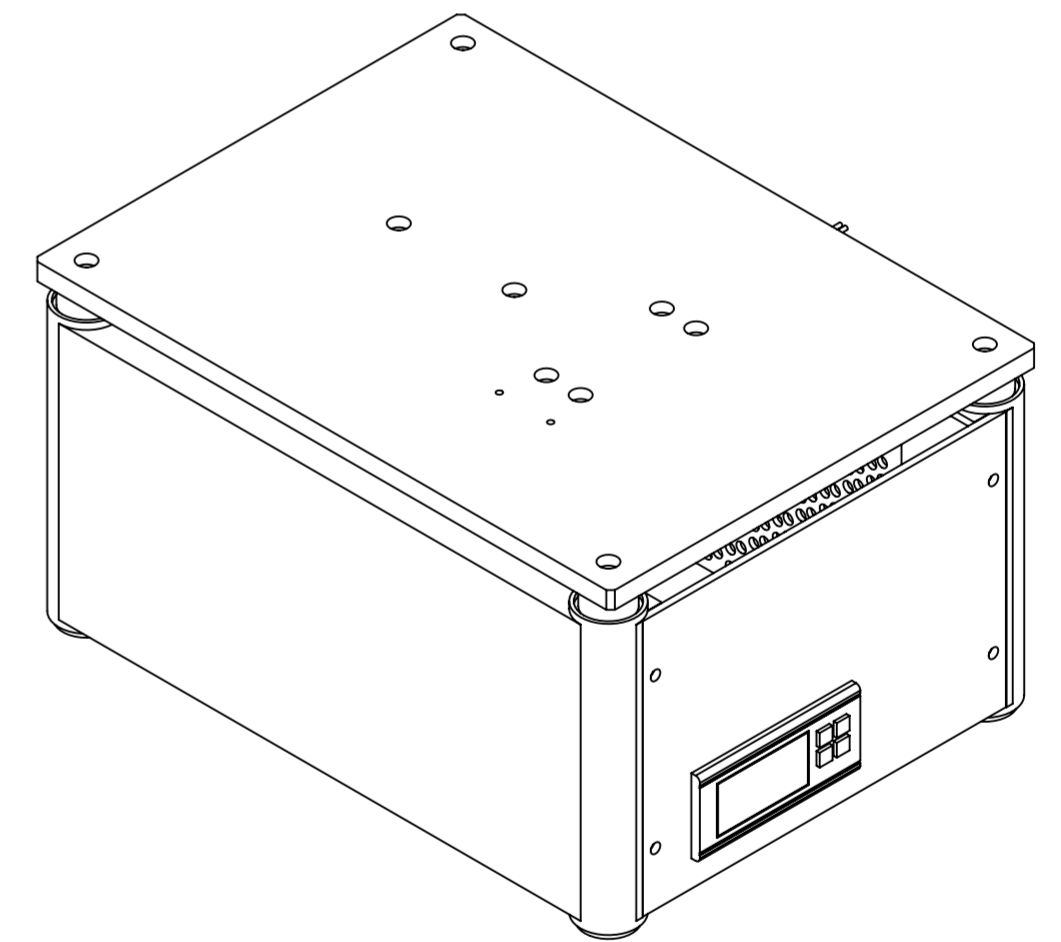
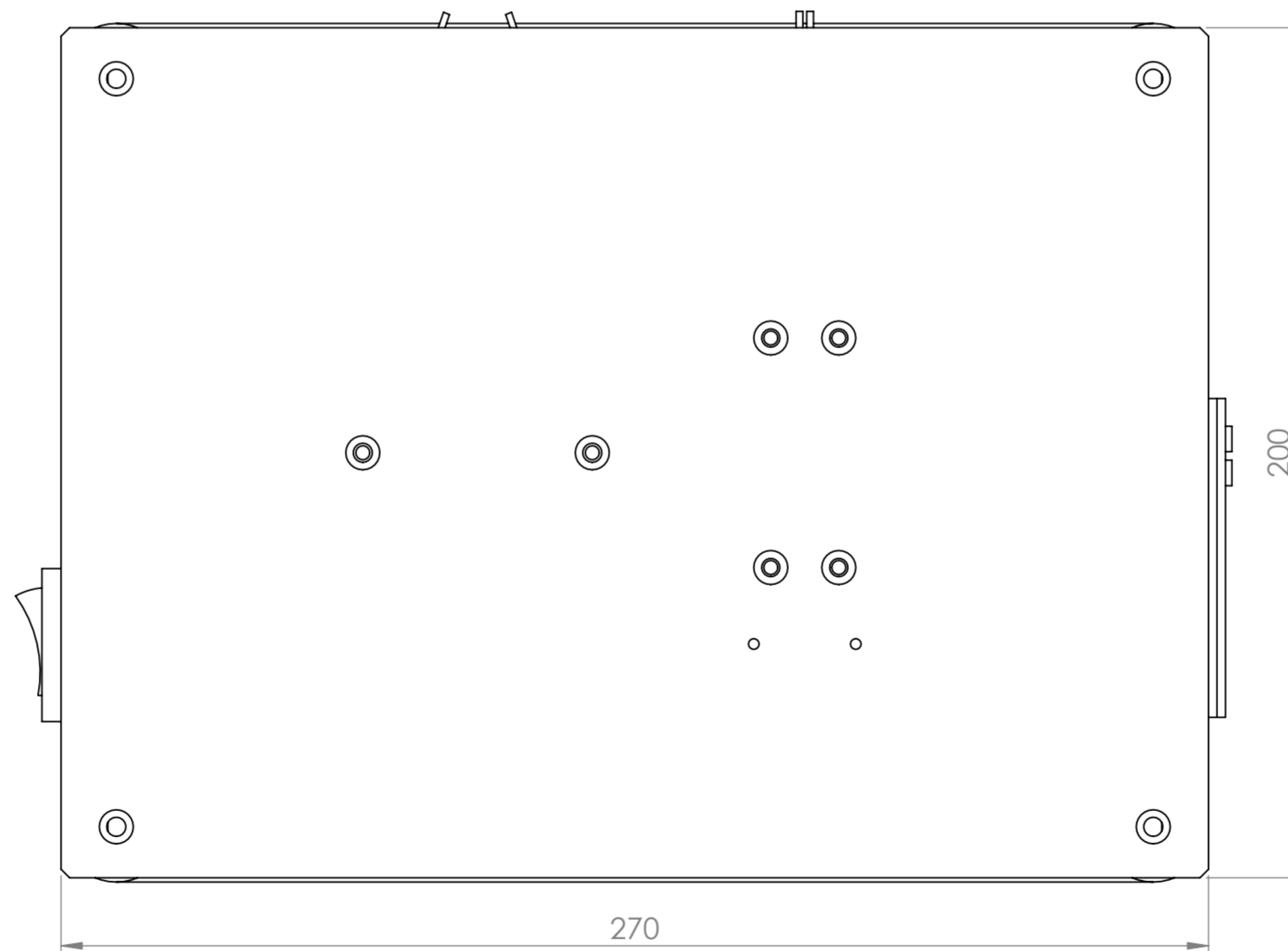
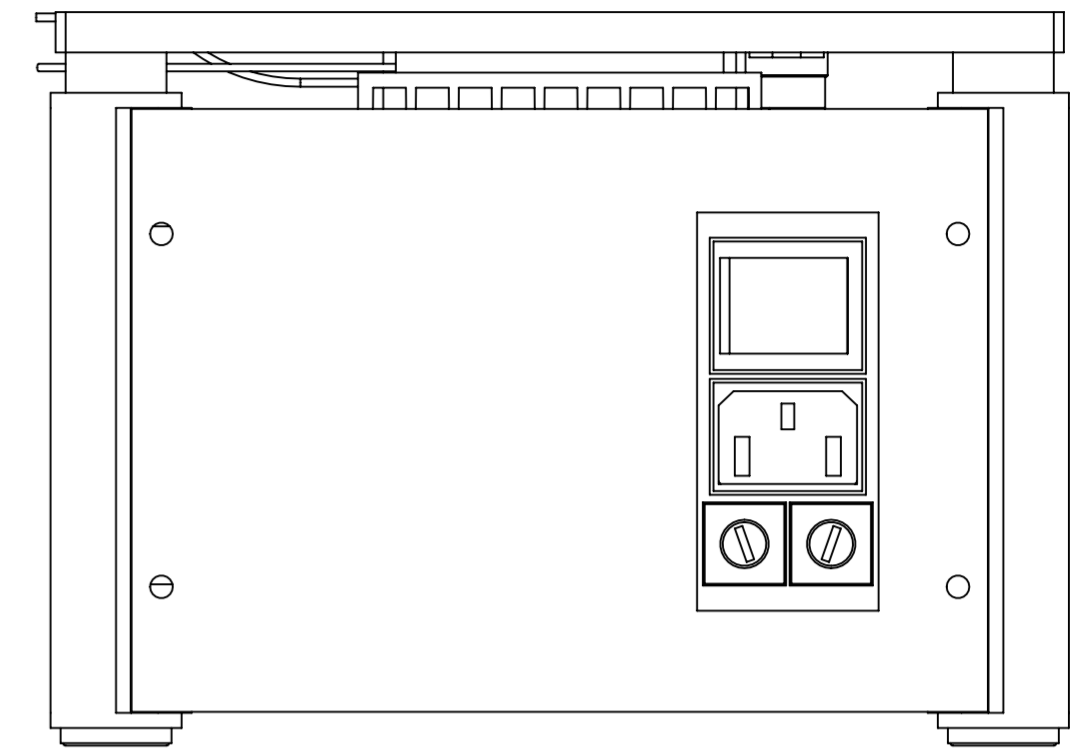
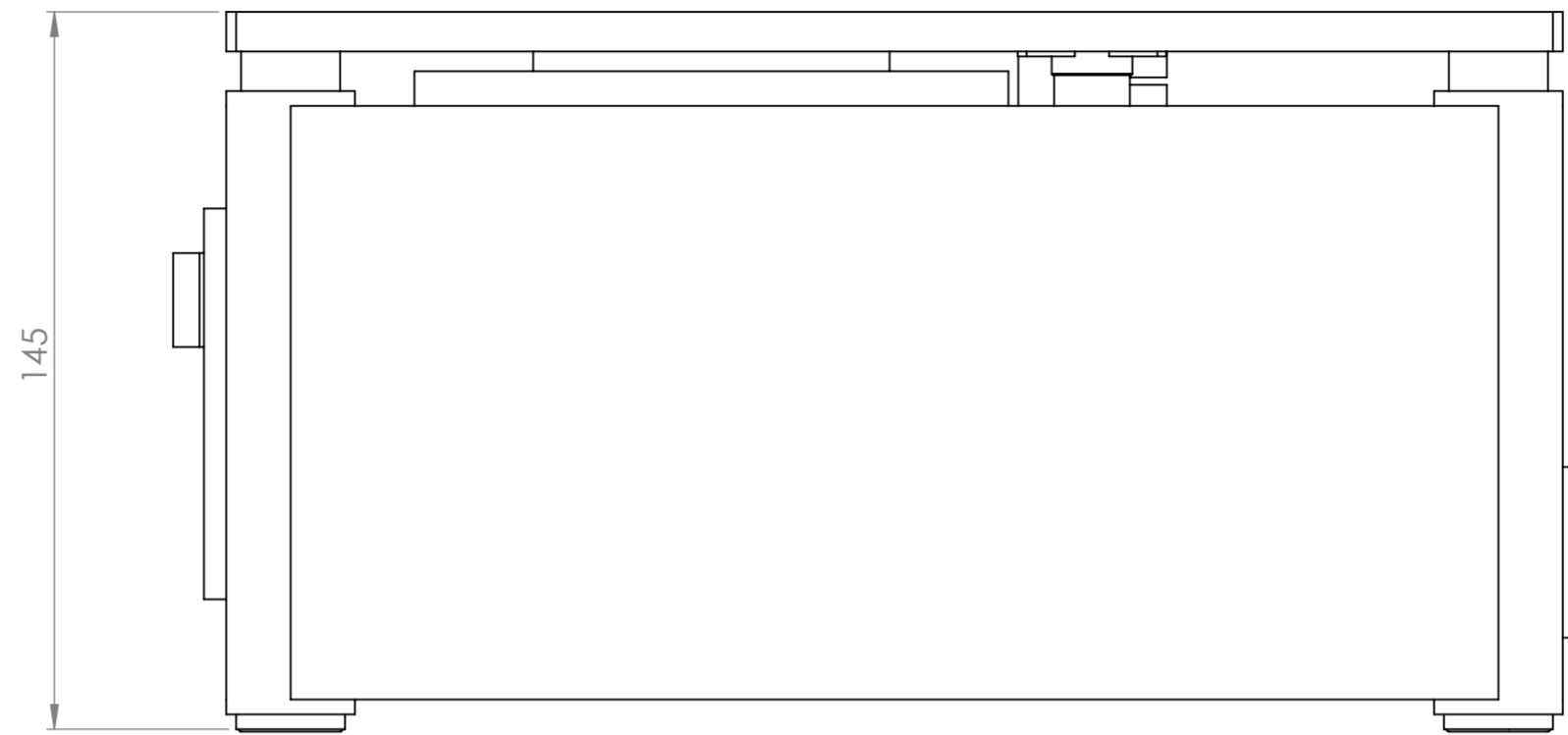
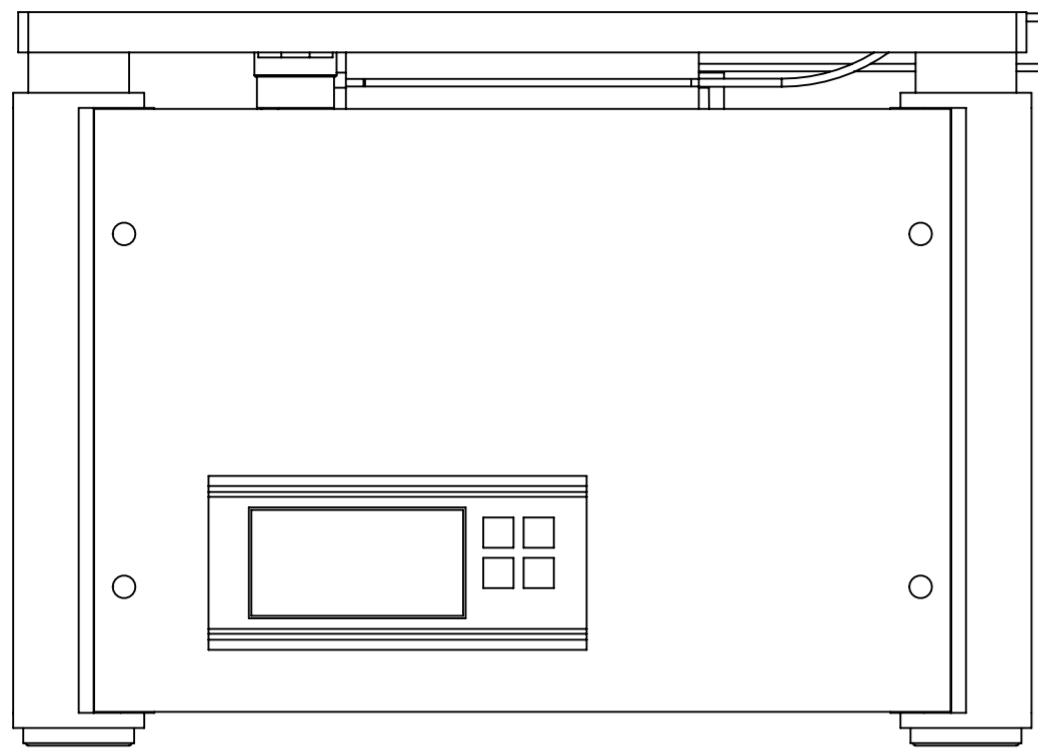


Num. articolo	Codice	CODICE_GESTIONALE	Descrizione	Materiale	Massa	Quantità
1	AS002705	AS002705	Carter scaldino	Alluminio Lega 2017A	658.58	1
2	DR011110	DR011110	Piastra scaldino termostato	Alluminio Lega 2017A	1192.88	1
3	Switched Powersupply PSSM24V (Default)	621-0685	Alimentatore switching 24Vdc 150 Rs Components	-		1
4	211-0963	211-0963	Placchetta interruttore-fusibili-presa BULGIN	Tecnopolimero	50.96	1
5	AS002702	AS002702	Gruppo raffreddamento Peltier		364.16	1
6	2455R 82-195 L70C	339-308	Termostato Bimetallico Honeywell +150°C max. NC apertura +70°C chiusura +55°C	Ceramica	5.74	1
7	STC-1000	STC-1000	Termoregolatore Caldo-Freddo (AMAZON)	Tecnopolimero	194.41	1
8	DR011118	DR011118	Distanziale isolante	Delrin Bianco	4.15	4
9	CM000301	CM000301	Tampone di gomma bianca D22mm	Gomma	1.60	4
10	DR011119	DR011119	Morsetto candeletta	Alluminio Lega 2017A	59.06	1
11	UTXM000777	UTXM000777	Candeletta riscaldante V230 250W	Acciaio in lega	18.39	1



UNLESS OTHERWISE SPECIFIED: DIMENSIONS ARE IN MILLIMETERS		FINISH:	DEBUR AND BREAK SHARP EDGES	DO NOT SCALE DRAWING	REVISION: NUOVO
SURFACE FINISH:					
TOLERANCES:					
LINEAR:					
ANGULAR:					
DRAWN:	NAME	SIGNATURE	DATE	TITLE:	
CHK'D:	Massimo Negrelli		30-01-2023	Scaldino Termostato	
APP'VD:					
ID:	AS002701				
MATERIAL:				DWG NO.	A2
				AS002701-	
WEIGHT: 2683.20				SCALE:1:1.5	SHEET 1 OF 2



UNLESS OTHERWISE SPECIFIED: DIMENSIONS ARE IN MILLIMETERS		FINISH:	DEBUR AND BREAK SHARP EDGES		DO NOT SCALE DRAWING	REVISION: NUOVO
TOLERANCES: LINEAR: ANGULAR:		NAME SIGNATURE DATE		TITLE:		
DRAWN:	Massimo Negrelli	30-01-2023		Scaldino Termoregolato		
CHK'D:						
APP'VD:						
ID:	AS002701					
MATERIAL:				DWG NO.	A2	
WEIGHT: 2683.20				AS002701-		
				SCALE:1:1.5	SHEET 2 OF 2	